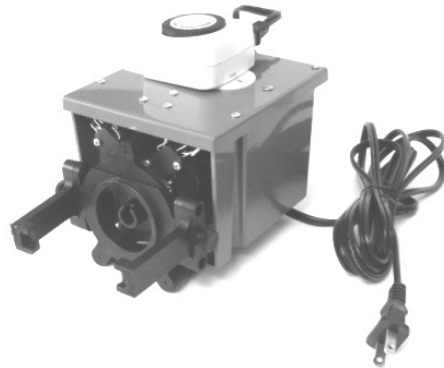


STOP!

DO NOT PLUG THIS UNIT IN UNTIL YOU READ THE DIRECTIONS ON THE REVERSE SIDE OF THIS PAGE!



MORE TIPS FROM [AMERICAN PACIFIC TO SAVE ENERGY, REDUCE EMISSIONS—SAVE MONEY!](#)

AFTER YOU HAVE INSTALLED YOUR ‘[SMARTDEVICE](#)’, THE “[GAS WATER HEATER TIMER](#)” FROM [AMERICAN PACIFIC](#), MORE MONEY AND CONSERVATION SAVING IDEAS INCLUDE:

- 1) **INSULATE ALL HOT WATER SUPPLY LINES FROM YOUR WATER HEATER TO EACH FAUCET THROUGHOUT YOUR HOME— WHERE POSSIBLE, AND**
- 2) **INSTALL A WATER HEATER BLANKET OVER YOUR WATER HEATER, AND**
- 3) **IF HOT WATER TAKES MORE THAN 10 SECONDS TO REACH THE FURTHEST FIXTURE IN YOUR HOME; IF POSSIBLE, CONSIDER INSTALLING A CIRCULATOR TO THAT FIXTURE, AND**
- 4) **INSTALL LOW FLOW FAUCETS AND SHOWER HEADS, AND**
- 5) **SHORTEN SHOWER TIMES, AND**
- 6) **DO LAUNDRY IN COLD WATER WHEN POSSIBLE, AND**
- 7) **REPAIR ANY LEAKY FAUCETS.**

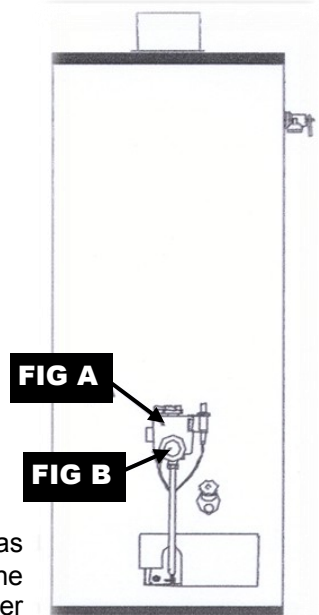
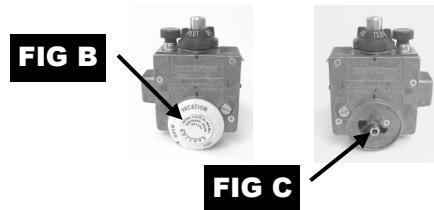
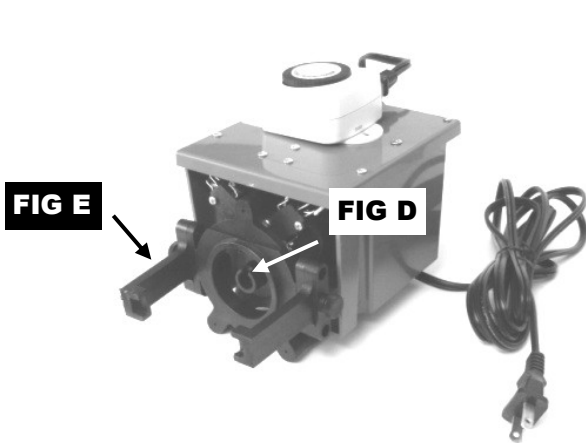
GAS WATER HEATER TIMER INSTALLATION INSTRUCTIONS



Congratulation for purchasing the Gas Water Heater Timer. Our 'SmartDevice' comes completely assembled... no tools are required. Simply follow these easy instructions — and you'll start saving money and energy as soon as you are finished installing it.

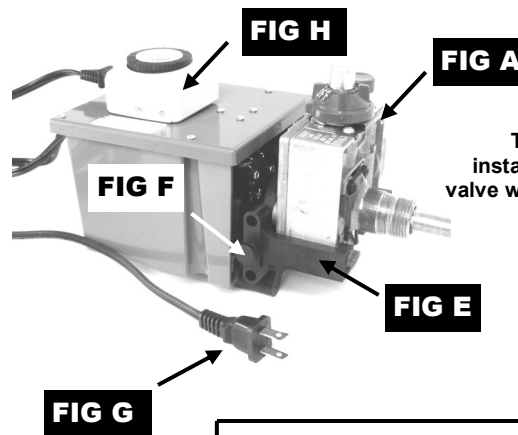
READ INSTRUCTIONS FULLY — BEFORE INSTALLING!

1 Locate the “gas control valve” (Fig A) in the lower center of your gas hot water heater. Turn the “gas control knob” (Fig B) located on the face of your water heater gas control valve to the “VACATION” setting until it stops (if you have a black knob that has the words “Pilot Lighting”, turn the knob to that position until it stops). Remove the “gas control knob” from the face of the water heater gas control valve (Fig C), by pulling on it. Knobs may look different, depending on your gas control valve.



2 Align the shaft's notch on the gas control valve (Fig C) to match the vertical notch (Fig D) on the Gas Water Heater Timer. A 1/8" turn to the left or right should provide a perfect alignment so that the notch on the Gas Water Heater Timer fits over the shaft's notch on the gas control valve. **DO NOT ATTEMPT TO TURN THE NOTCH ON THE GAS WATER HEATER TIMER— This may void the warranty. (Notches and shafts may look slightly different depending on the gas control valve you have.**

3 Seat the Gas Water Heater Timer firmly onto the face of the gas control valve and install the “universal mounting bracket” (Fig E) on the right side of the gas control valve. Note: the universal mounting bracket has two sides and 3 holes. If the side you choose does not fit your gas valve, simply turn the bracket over. Choose the hole that best suits your valve. Insert and tighten the “thumbscrew” (Fig F) on the right side of the mounting bracket. Install the remaining mounting bracket on the left side in the same way. Tighten the “thumbscrew” (Fig F) on the left side of the mounting bracket. Set your 24 hour timer (Fig H) for the times you wish your water heater to operate. Plug the AC cord (Fig G) into any 110v AC outlet—you're now on the road to saving money and energy.



To show the simplicity of the installation of the GWHT, the control valve was removed from the water heater. **DO NOT REMOVE YOUR CONTROL VALVE!**

If you have any questions or problems with installation, please contact us at: savemoney@gaswaterheatertimer.com

- Any Home Automation Control of your choice can replace the 24 hour timer included with your Gas Water Heater Timer. Temperature settings may vary depending on the age of the water heater and may require adjustments later. Contact us for more information.
- During prolonged power outages the unit will not function properly. It can be easily removed from the water heater for manual operation. After the power outage, reinstall the unit... making sure to reset the timer's clock to the correct "TIME" setting.

WARNING:

- Failure to comply with instructions will void any warranties implied or written.
- Failure to comply with the following instructions may cause bodily damage and or serious shock from the internal parts of this unit.
- If unit should fail for any reason it must be repaired by a qualified electrician or Gas Water Heater Timer representative.
- Follow the instructions as they are written, do not bypass steps during installation.
- Do not remove warning tags on 115 volt plugs.
- Do not remove cover.
- Do not alter or change factory settings.
- Do not put fingers or any other objects under the front of the unit while in operation. It may cause damage to the unit .